

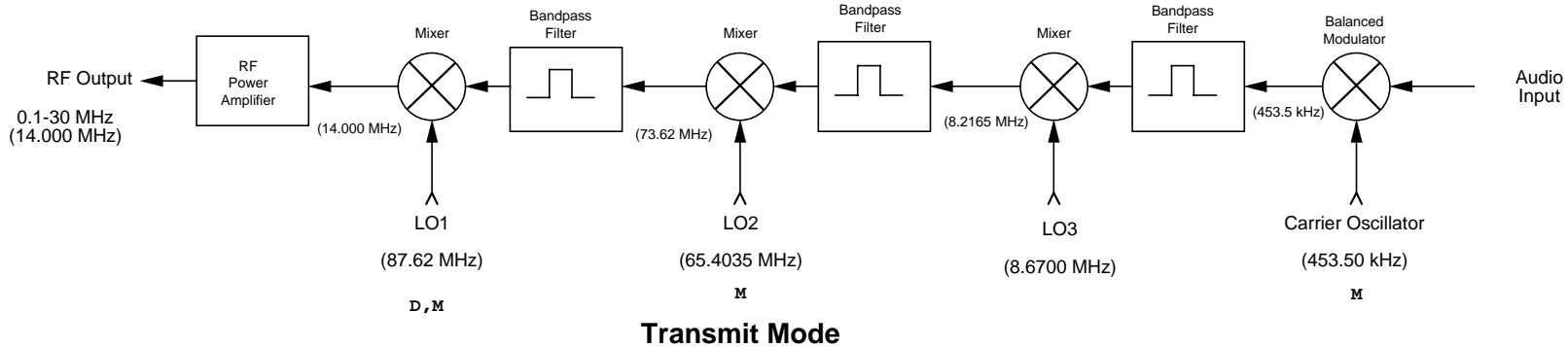
() Indicates frequencies for:

14.000 MHz input/output carrier frequency
 USB mode
 Width maximum
 Shift center
 Notch center.

Receive Mode

Frequencies Affected by Controls:

D: Main Tuning Dial
 S: IF Shift
 M: Mode
 P: CW Pitch
 W: Width
 N: Notch Tuning



() Indicates frequencies for:

14.000 MHz input/output carrier frequency
 USB mode
 Width maximum
 Shift center
 Notch center.

Frequencies Affected by Controls:

D: Main Tuning Dial
 M: Mode

FT-1000D
 Conversion Scheme